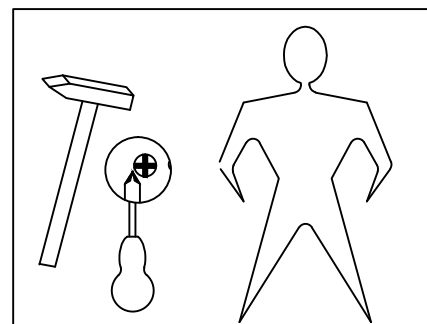
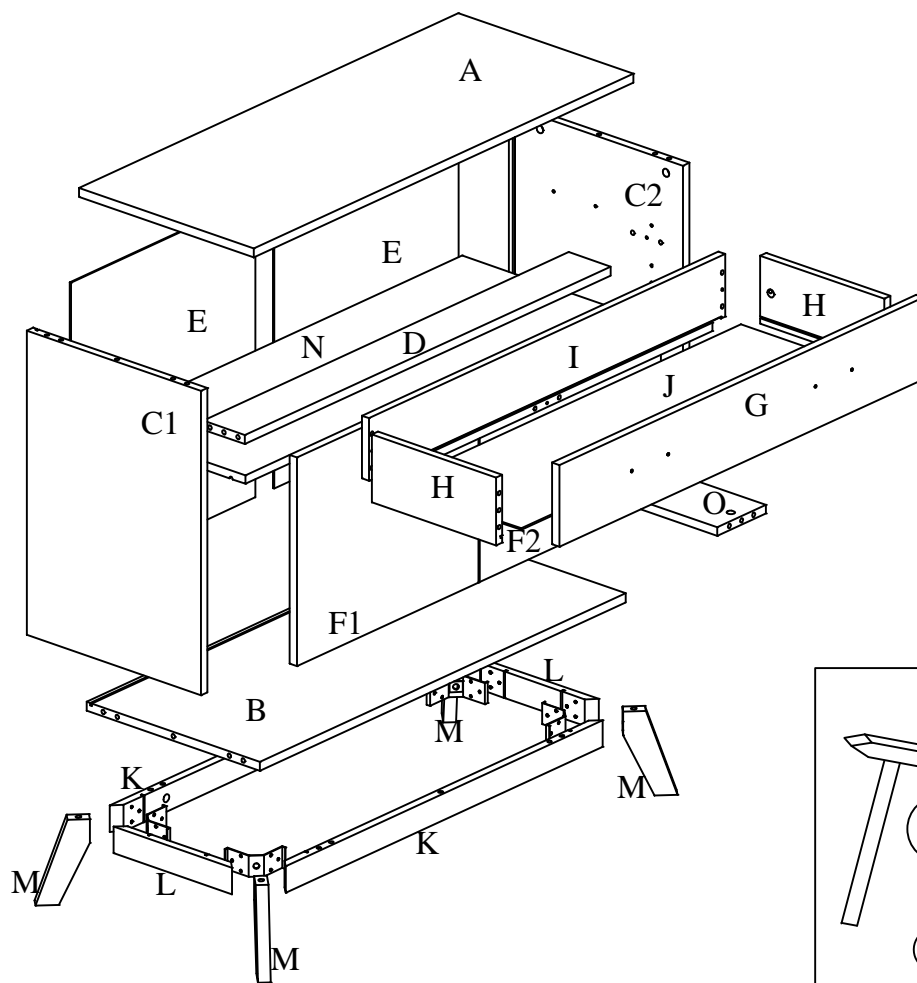
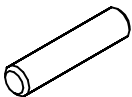
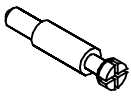
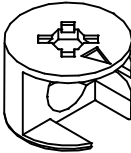
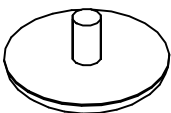
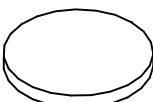
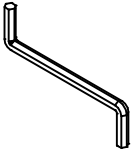
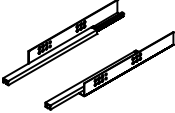
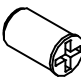
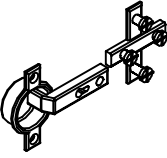
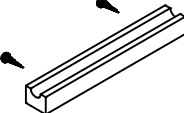

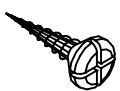

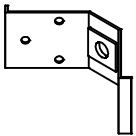
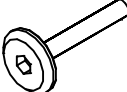
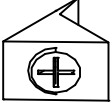




**Reference no:**

Designed by

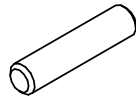
*Leonhard Pfeifer*



	A1  ø8x35	A2  ø7x24	A3  ø15x11,5	A4  ø17	A5  ø20	A6  4mm
QTY	x32	x22	x22	x4	x4	x1
	A7  L310	A8  ø6,3x11,5	A9  x4	A10  120x20x10 (ø3,5x35)	A11  ø5	A12  ø3,5x16
QTY	x1	x4	x4	x4	x4	x24
	A13  ø3,5x15	A14  95x40x1,5	A15  M6x30	A16  (ø3x20)	A17  ø5	A18  L555
QTY	x8	x4	x4	x6	x4	x1

Step 1

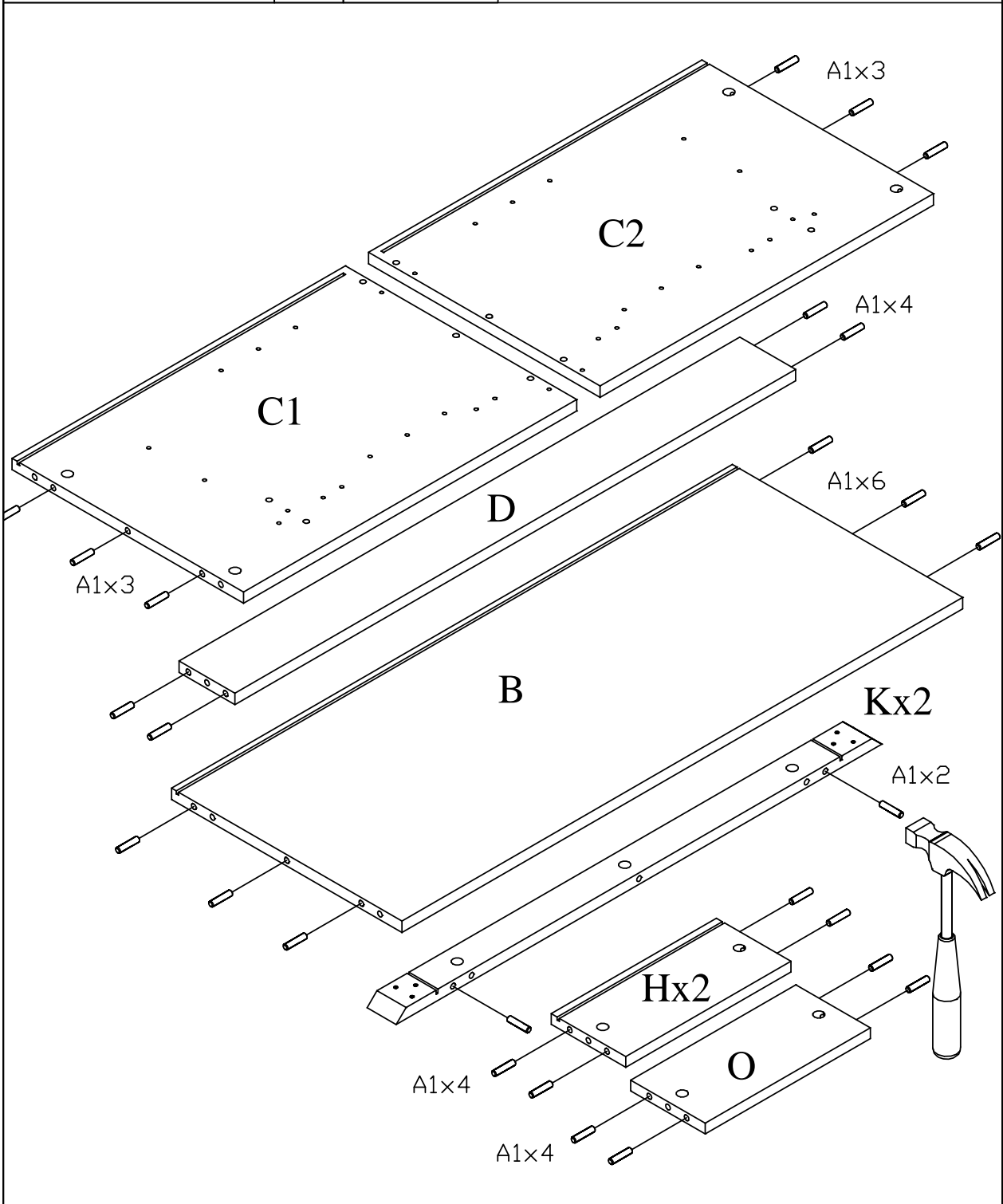
A1



∅8x35

QTY

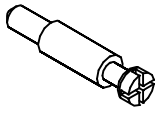
x32



ENG - In case of any quality issues, contact your local dealer and always mention item reference No.  
FR - En cas de problèmes de qualité, contactez votre revendeur local et mentionnez toujours la référence de l'article.  
IT - In caso di eventuali problemi di qualità, contattare il rivenditore locale e citare sempre punto di riferimento No.  
ES - En caso de problemas de calidad, póngase en contacto con su distribuidor local y mencione siempre la referencia del artículo.  
DE - Wenn Sie Qualitätsprobleme haben wenden Sie sich bitte an ihren örtlichen Händler und erwähnen Sie immer die Artikelnummer.

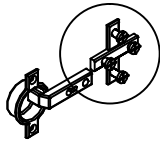
Step 2

A2



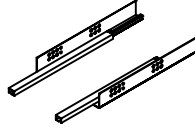
∅7x24

A9



x4

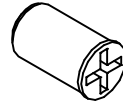
A7



L310

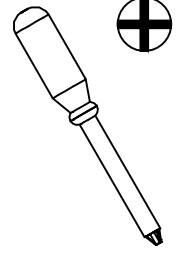
x1

A8



∅6,3x11,5

x4



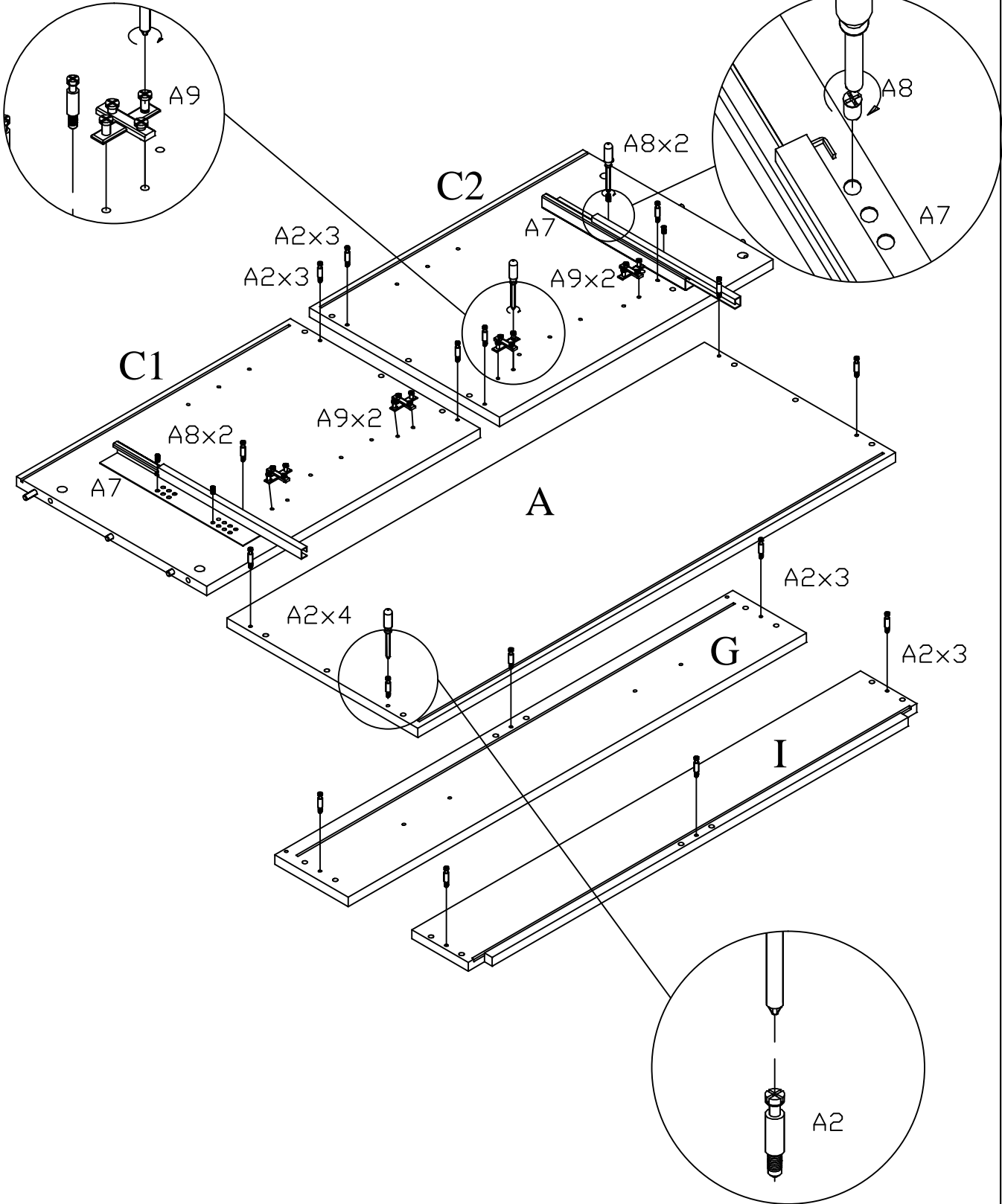
QTY

x16

x4

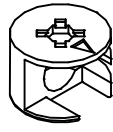
x1

x4



Step 3

A3

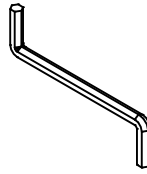


Ø15x11.5

QTY

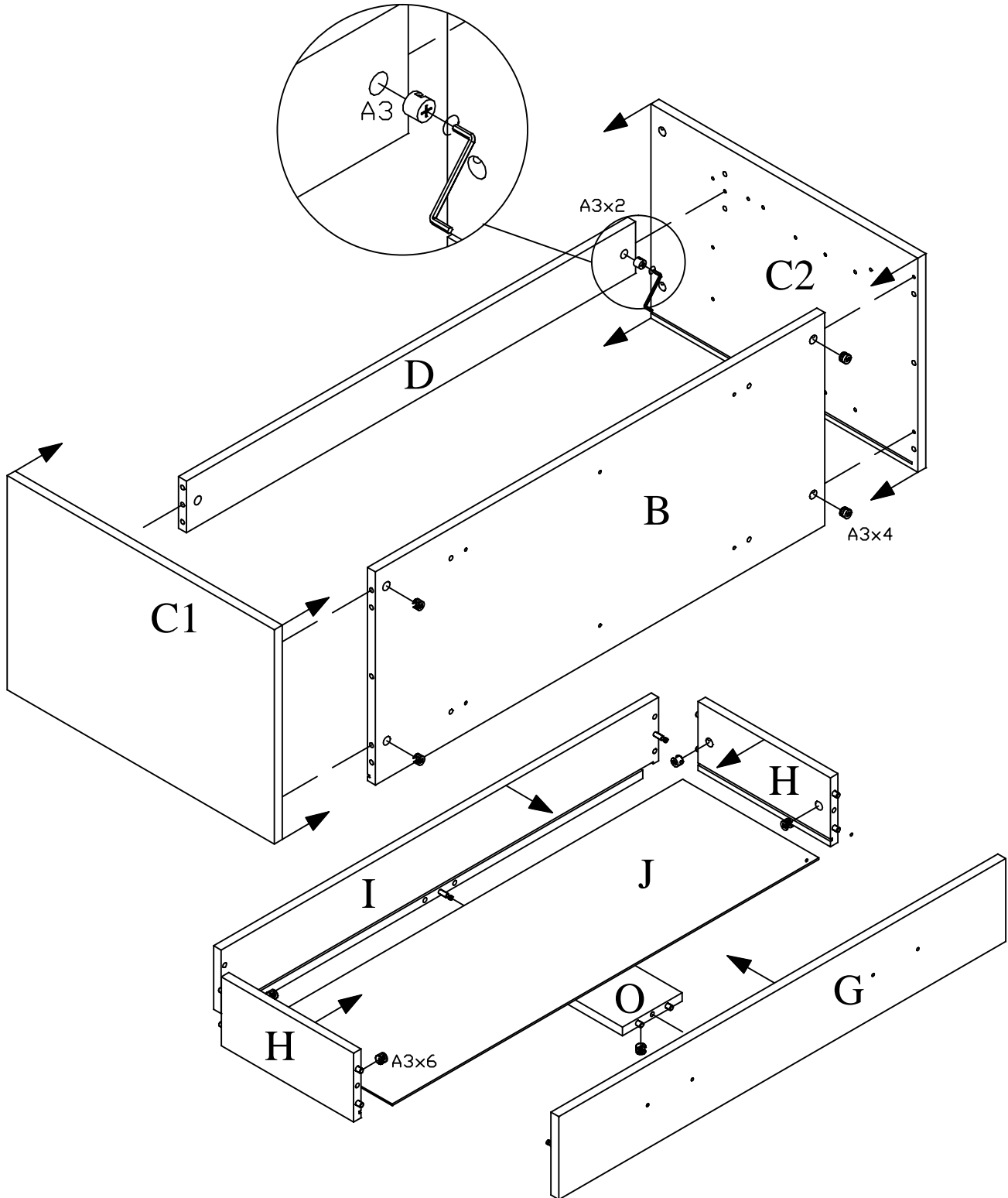
x12

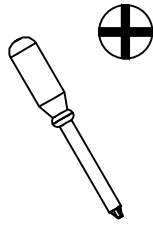
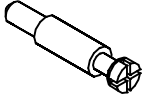
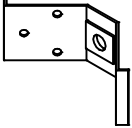
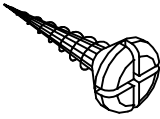

A6

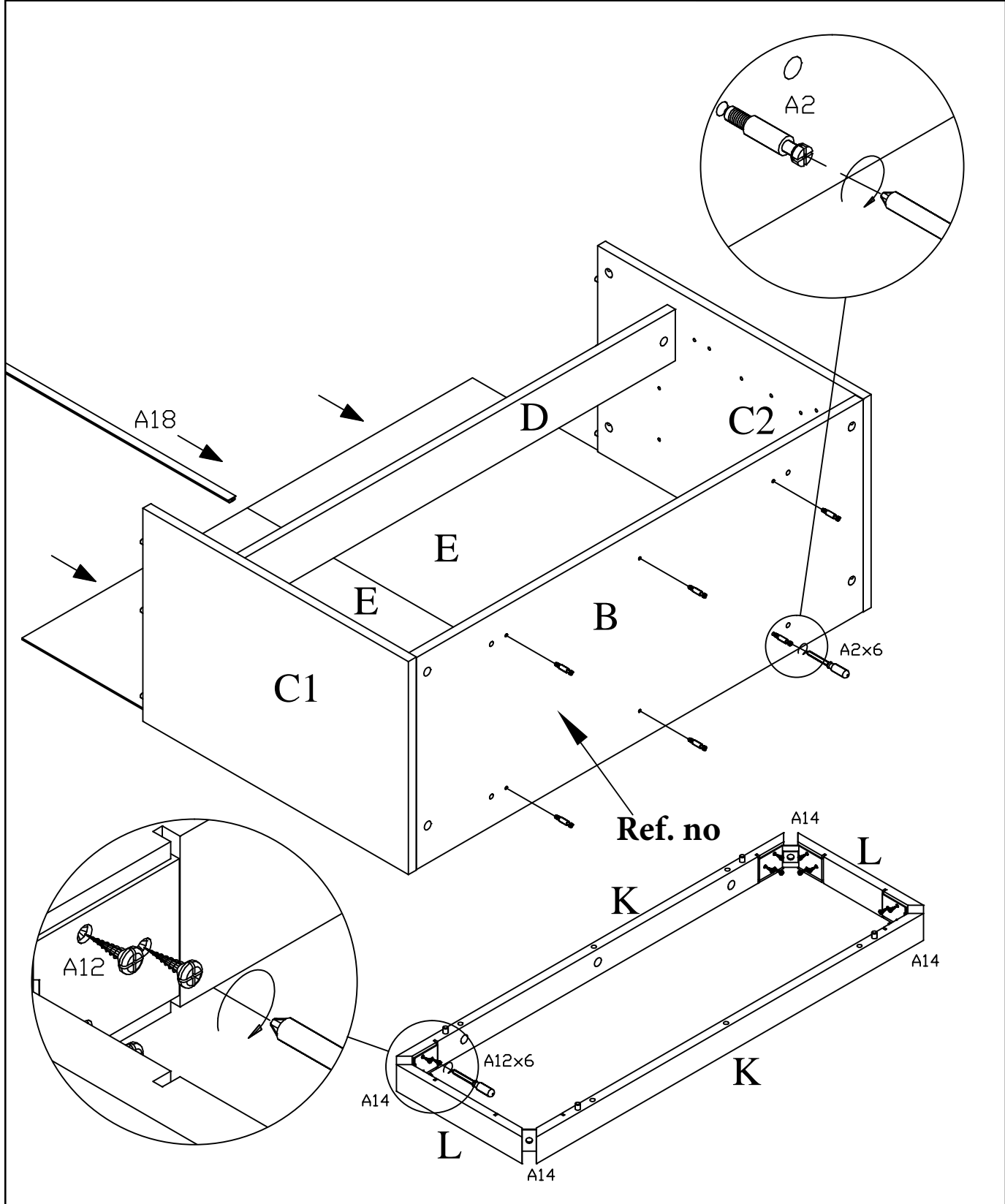


4mm

x1

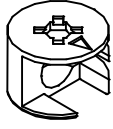


Step 4	A2	A14	A12	A18	
					
	∅7x24	95x40x1,5	∅3,5x16	L-555	
QTY	x6	x4	x24	x1	



Step 5

A3

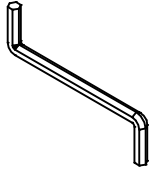


∅15x11.5

QTY

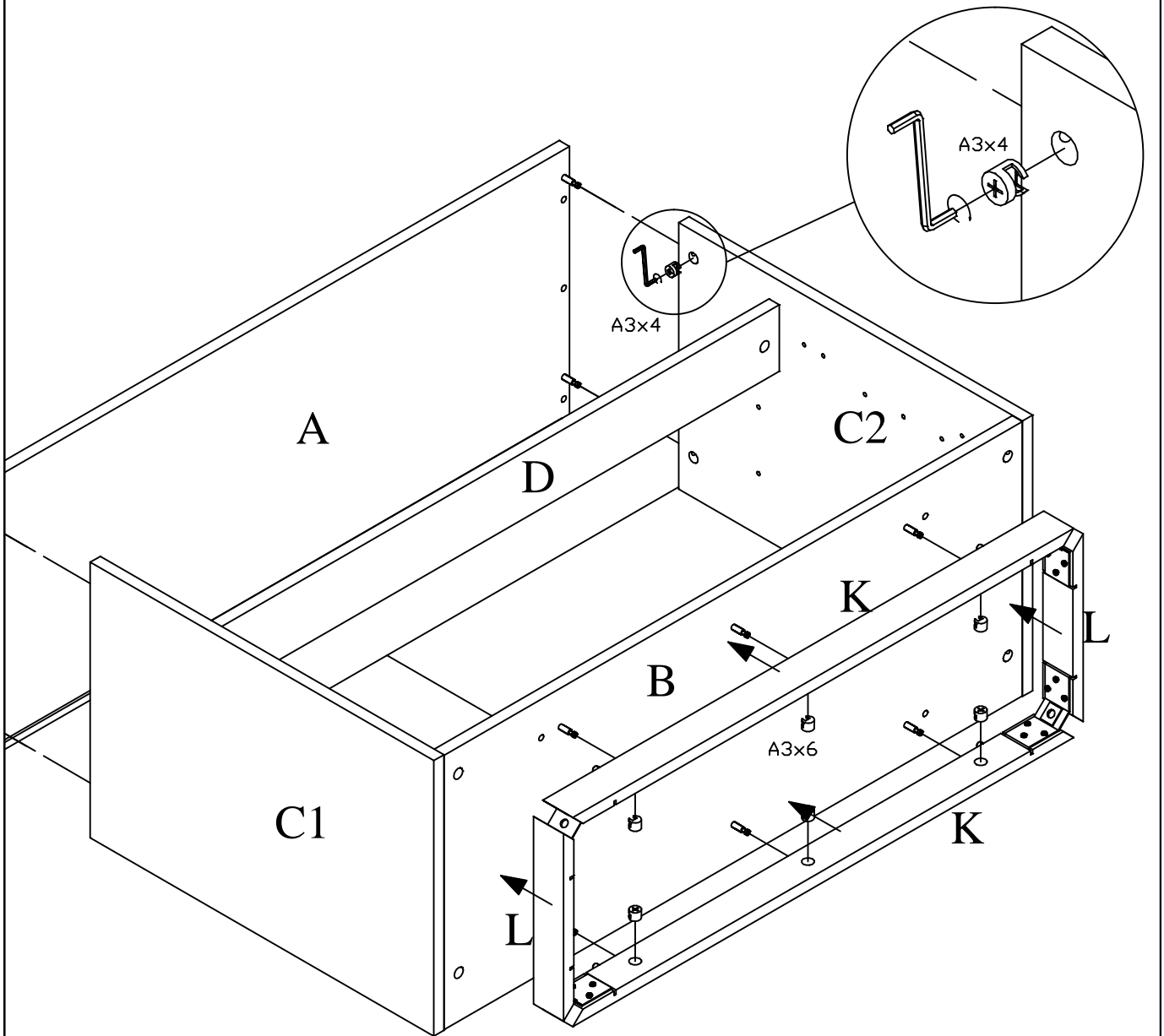
x10

A6



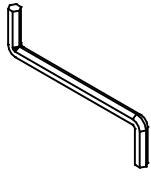
4mm

x1



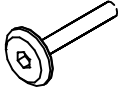
Step 6

A6



4mm

A15



M6x30  
Ø10x20

A11



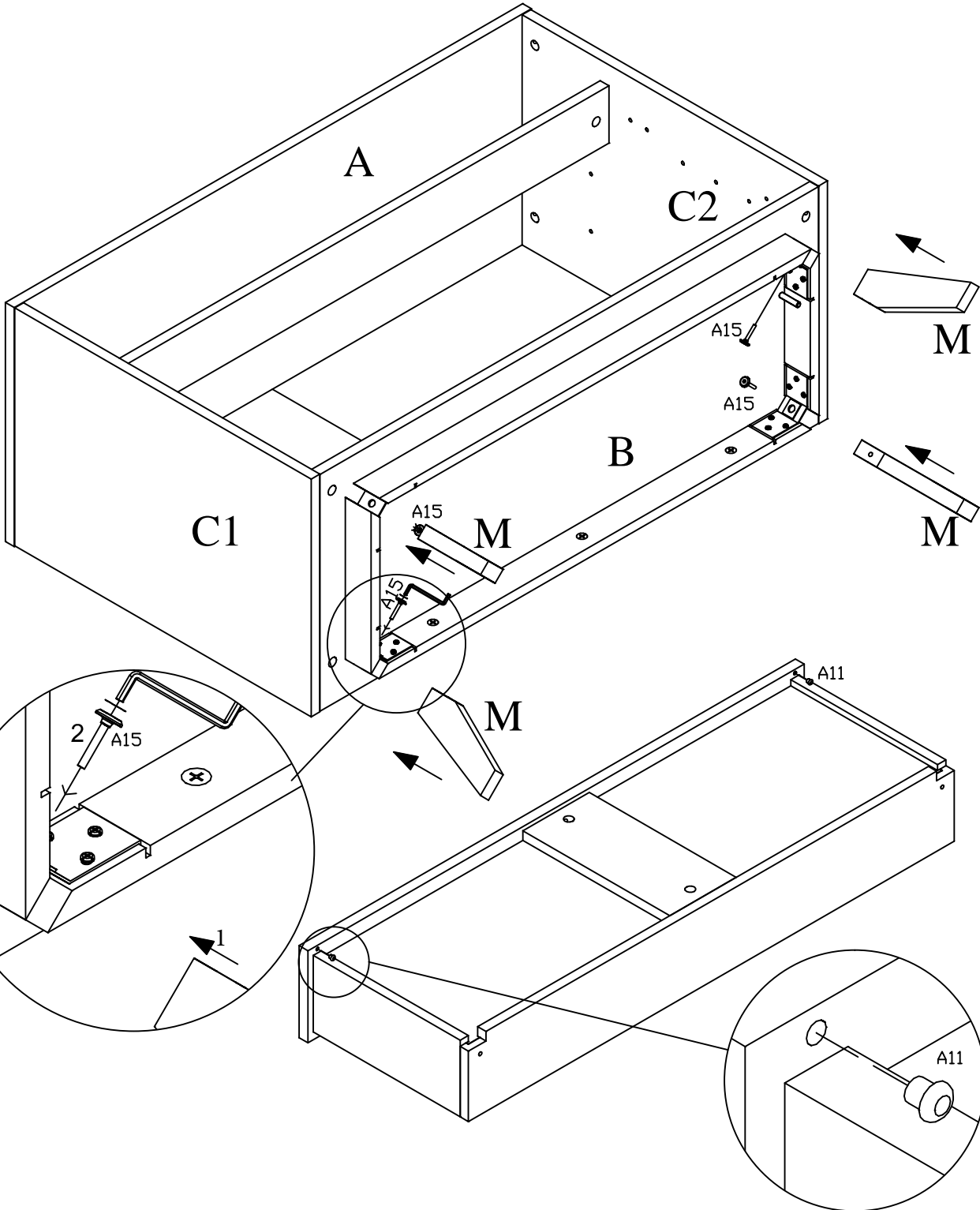
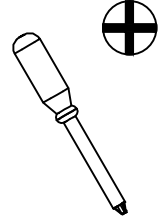
Ø5

QTY

x1

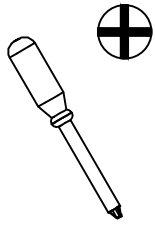
x4

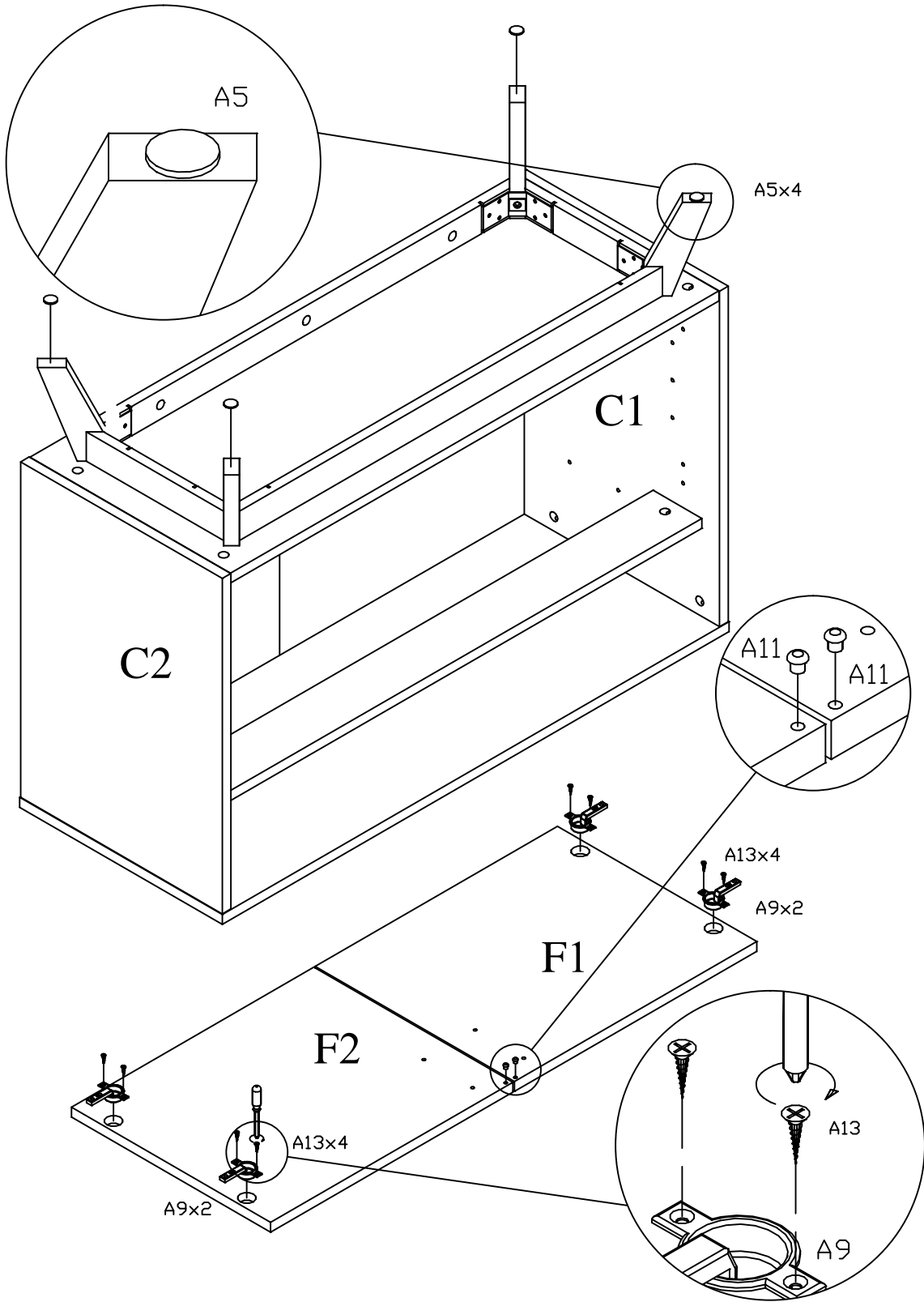
x2

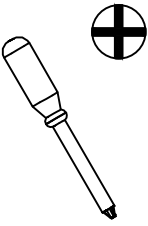


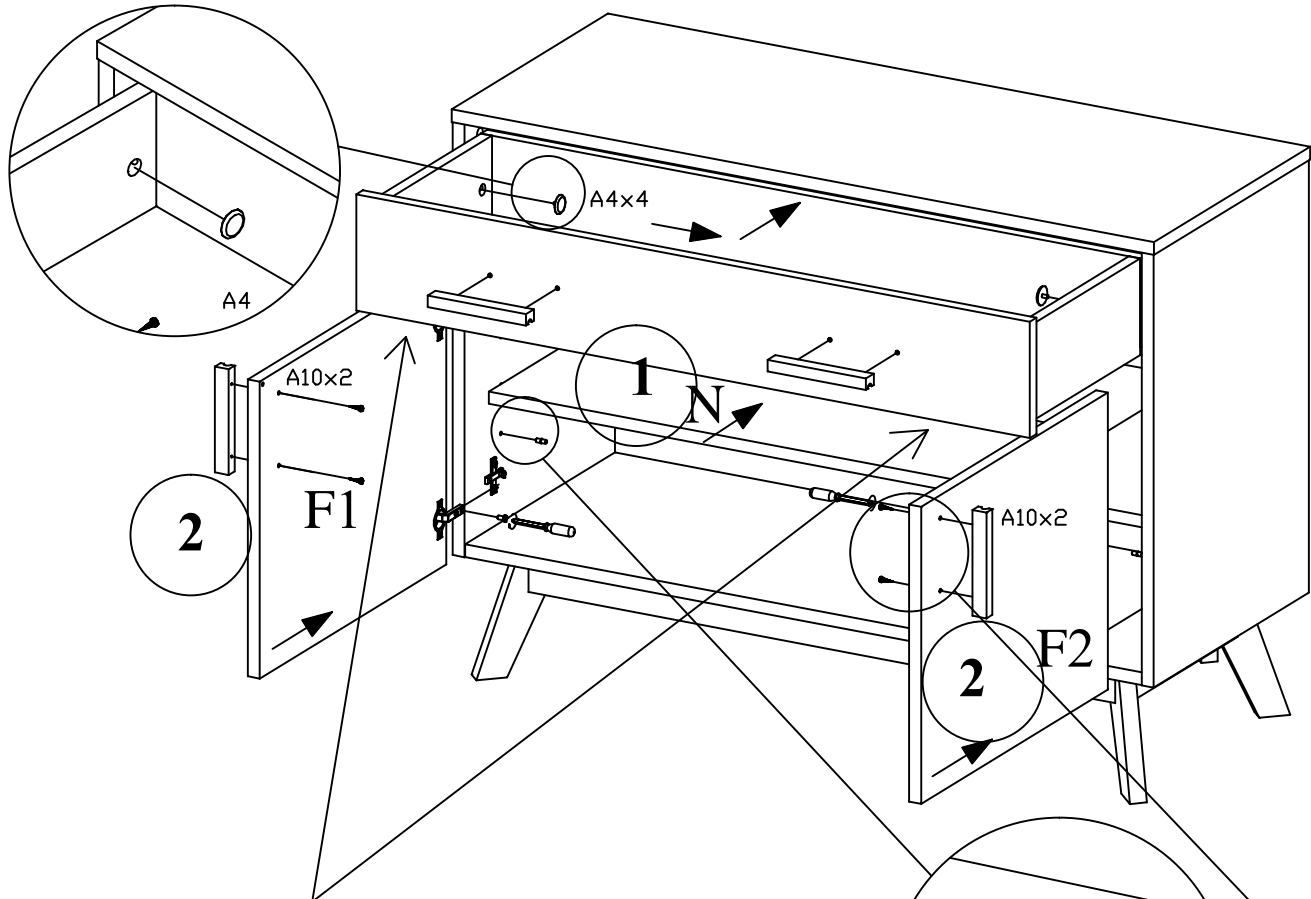


Step 7

	A13	A9	A5	A11	
QTY	x8	x4	x4	x2	



Step 8	A10	A4	A17	
	120x20x10 (Ø3,5x35)	Ø17	Ø5	
QTY	x4	x4	x4	

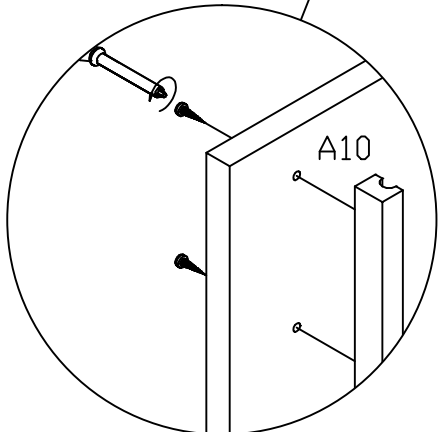
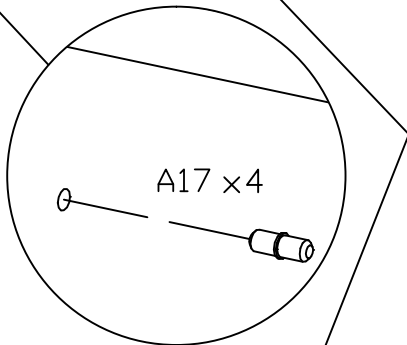


**Height adjustment**

It's possible to make height adjustments of up to +2.5 mm. This tool-free feature produces uniform gap alignment.

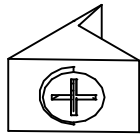
**Lift-off stop**

The lift-off stop prevents drawers and pull-outs from accidentally lifting off the runner. If required, the lift-off stop can be released by pulling a lever.



Step 9

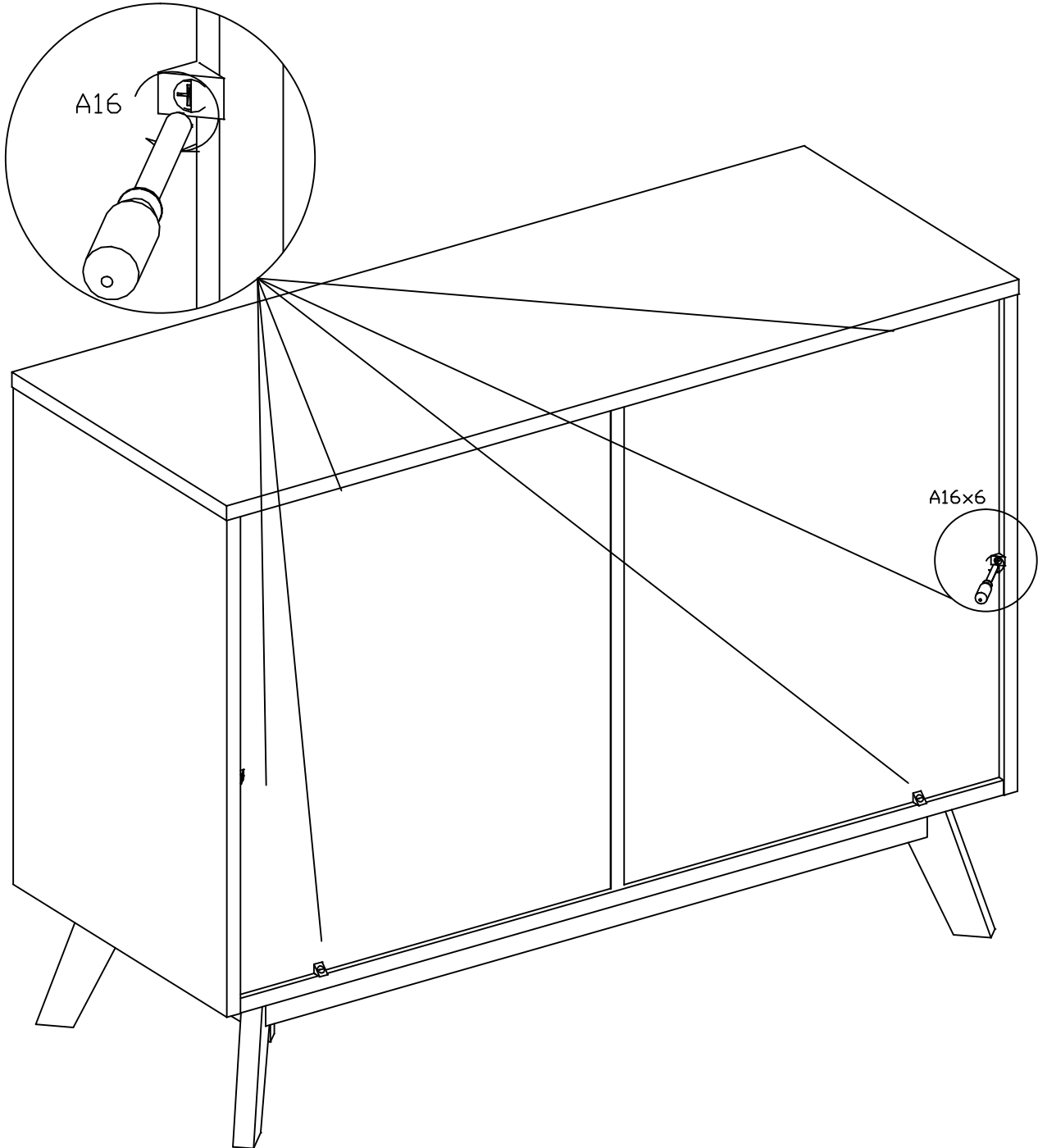
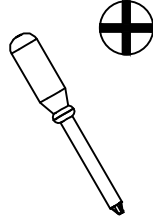
A16



( $\varnothing$ 3x20)

QTY

x6





# Safety and Care Advice

## Important - Please read these instructions fully before starting assembly

Check you have all the components and tools.

Remove all fittings from the plastic bags and separate them into their groups.

Keep children and animals away from the work area, small parts could choke if swallowed.

Make sure you have enough space to layout the parts before starting.

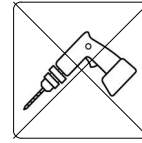
Do not stand or put weight on the product, this could cause damage.

Assemble the item as close to its final position (in the same room) as possible. Do not place furniture directly in front of radiators, fires or any other source of heat.



Parts of the assembly will be easier with 2 people.

Assemble on a soft level surface to avoid damaging the unit or your floor.



We do not recommend the use of power drill/drivers for inserting screws, as this could

damage the unit. Only use hand screwdrivers.

Dispose of all packaging carefully and responsibly.

## General care and maintenance

Only clean using a damp cloth and mild detergent, do not use bleach or abrasive cleaners.

From time to time check that there are no loose screws and connectors on this unit.

This product should not be discarded with household waste. Take to your local authority waste disposal centre.

## Cleaning and care of high gloss surfaces

Regular dusting with a dry cloth will keep your units clean.

Clean marks with a damp cloth.

Do not allow spillages to stay on the surface for long.

Do not clean with products containing the following: Acetone, (e.g. nail varnish remover), Ammonia (e.g. bleach), or Sodium hydroxide (e.g. Caustic soda, drain and oven cleaners).

Do not use abrasive cleaners.

To remove stubborn stains, wipe over with a damp cloth and washing up liquid.

In the event of accidental contact with aggressive cleaners, rinse thoroughly with water.

Use place mats to protect the surface from moisture and heat.

## Maximum weight limit

